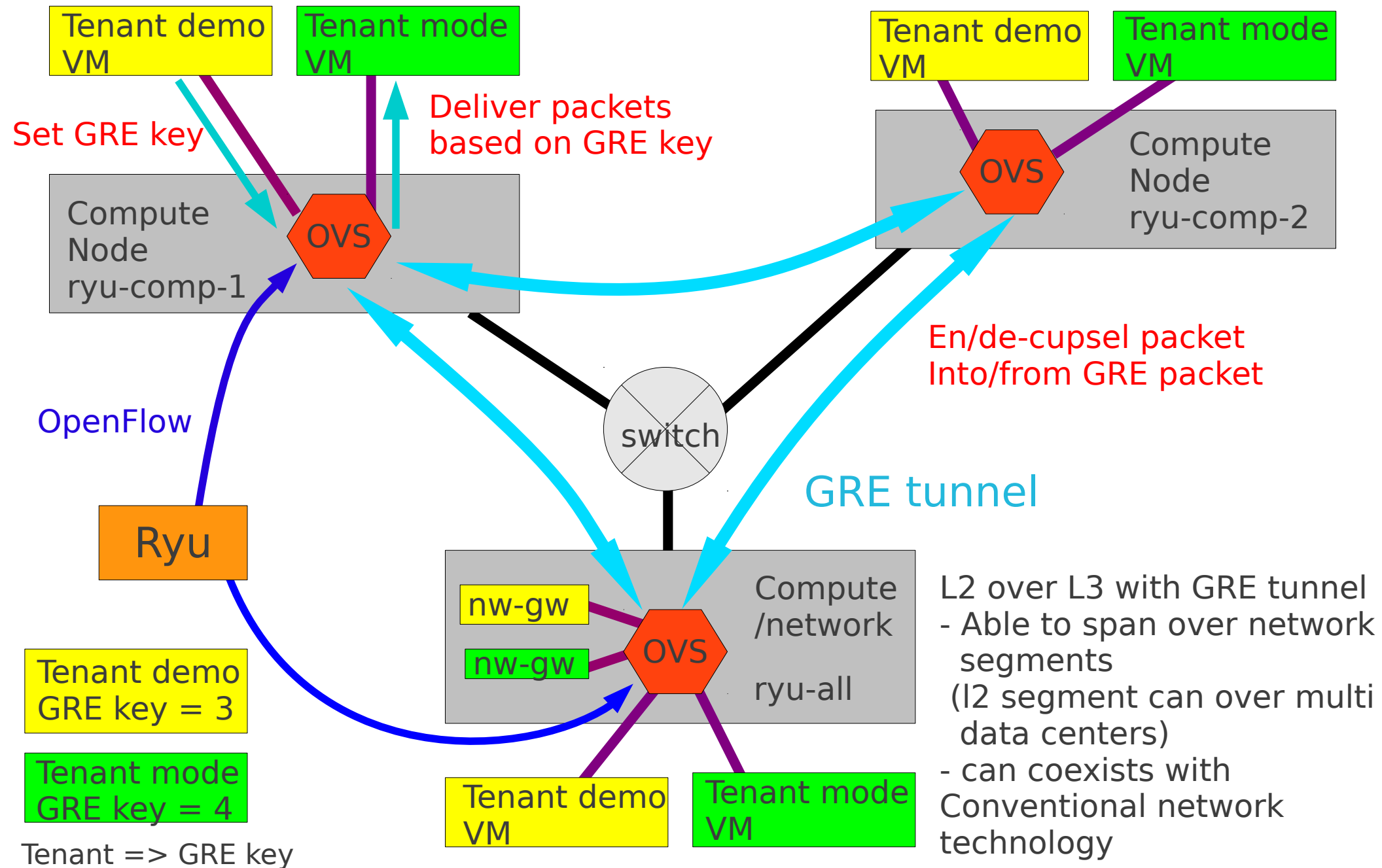


L2 isolation by using GRE tunnel



Ryu demo setting up

